



Project Estimate

Use this form to request a project estimate. Just fill-in as much of the information you have available and we can get your project started.

Project or Customer Name: _____

Project location (City, State): _____

Contact Phone: () _____ - _____ () _____ - _____

Project Info

Stone Color: _____

Sink Type (circle): Drop-In Undermount Farm sink

Backsplash height in inches (typical is 4"): _____

Edge Profile (examples below): _____



**FAX this page and your drawing to one of our locations.
Should you have any questions, feel free to contact one of our
offices for assistance.**

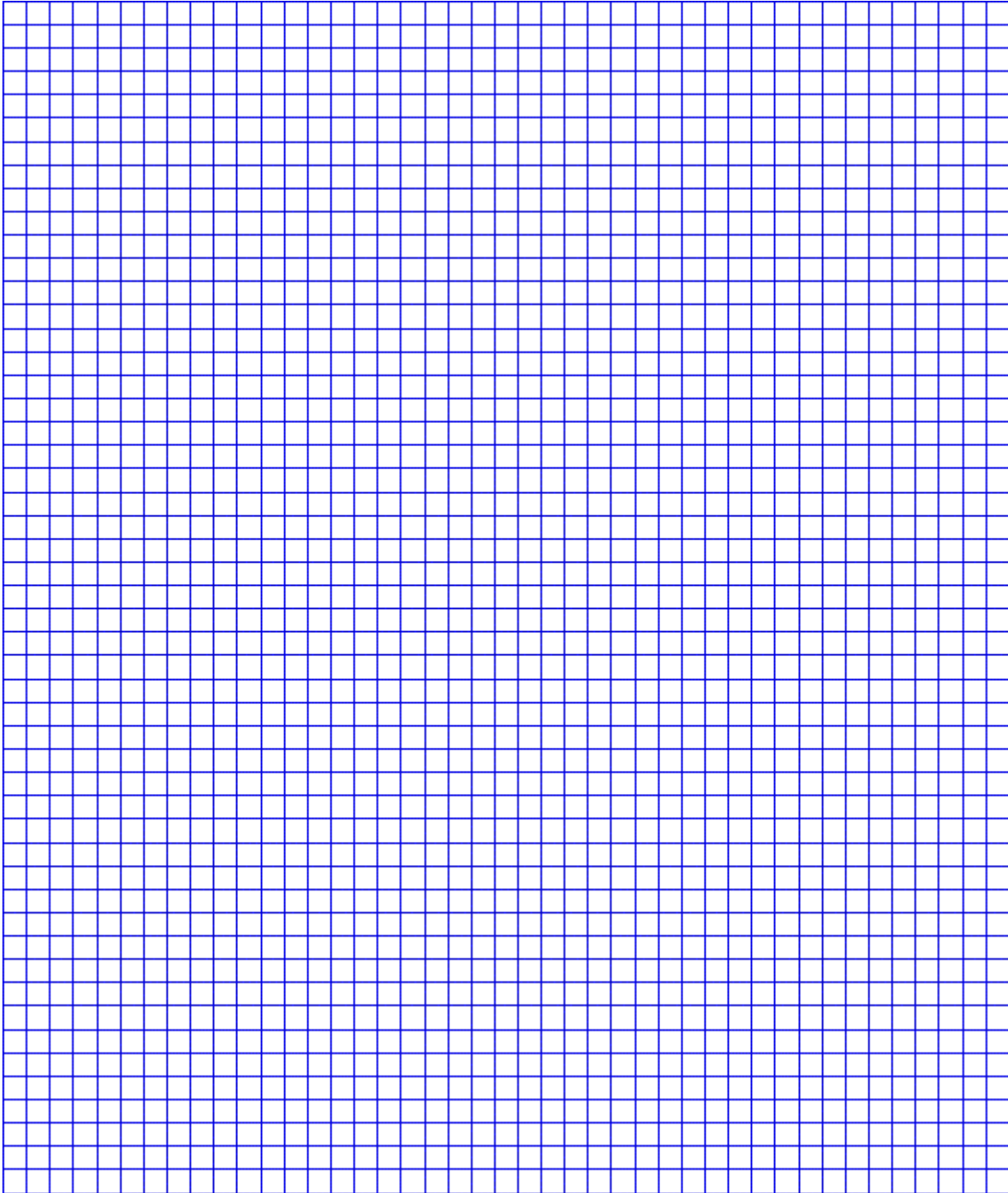
Richmond, Va. (804) 379-2641 Fax (804) 379-2644
Williamsburg, Va. (757) 221-0040 Fax (804) 221-0085
Raleigh, N.C. (919) 465-0825 Fax (919) 465-0826
Greensboro, N.C. (336) 668-4007 Fax (336) 668-4003

Capitol

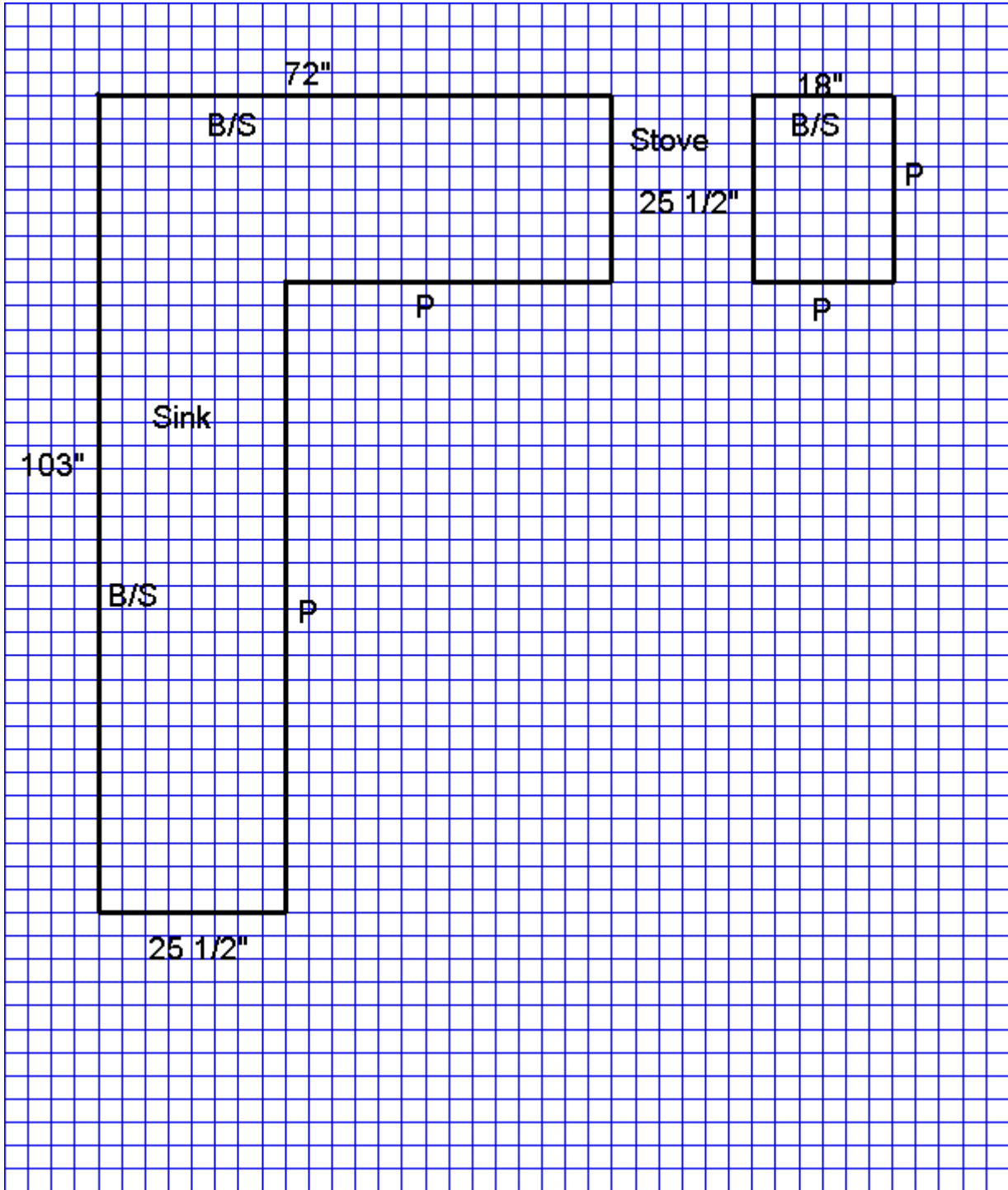


Granite & Marble

PROJECT NAME: _____



Draw your project or layout. Indicate measurements & sink, cook top or stove locations. Mark edge profile areas with a "P" and backsplash areas with "B/S". Most kitchen countertop depths are approx. $25 \frac{1}{2}$ ". The rule of thumb is most cabinets are $24" + 1 \frac{1}{2}"$ for overhang on the front results in $25 \frac{1}{2}"$.



This sample drawing shows a kitchen with general sink and stove location.